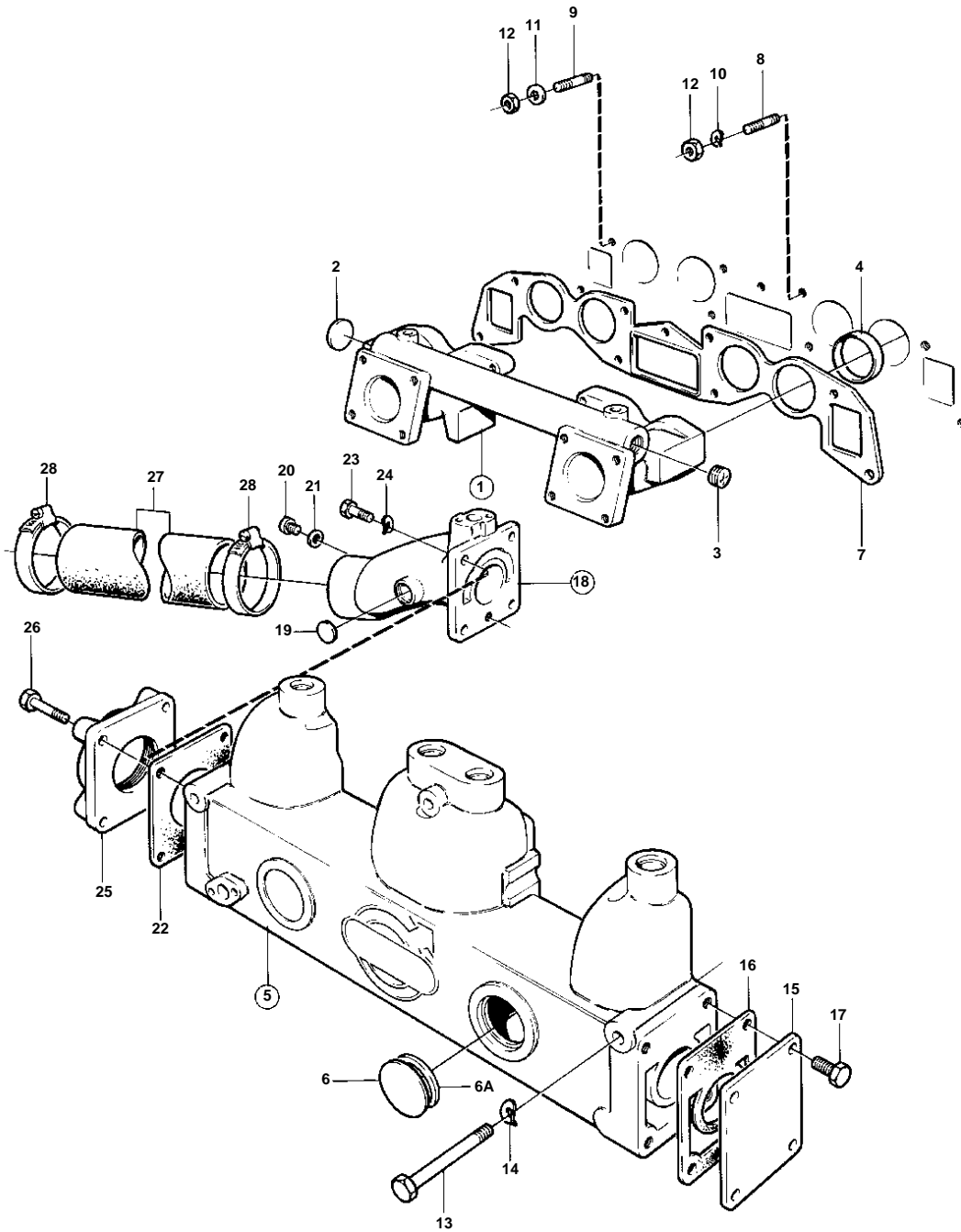


BB115A



5572

BB115A

REF	PART NO.	QTY	DESCRIPTION	NOTES
1		1	Inlet pipe	
2		2	• Expansion plug	
3	952075	1	Plug	
4	418408	4	Guide sleeve	
5	824532	1	Exhaust pipe	
6	192211	2	• Expansion plug	
	467649	2	• Plug	
6A	469328	2	• Gasket	EARLY TYPE,ENGINE WITHOUT HYDRAULIC PUMP. EARLY TYPE,ENGINE WITHOUT HYDRAULIC PUMP.
7	824633	1	Gasket	
8	953239	2	Stud	
9	953251	5	Stud	
10	941907	2	Spring washer	
11	191169	4	Washer	
12	955826	7	Hexagon nut	
13	959793	2	Hexagon screw	
14	941907	3	Spring washer	
15	806341	1	End cover	
16	825558	1	Gasket	(827101)
17	955547	4	Hexagon screw	
18	825600	1	Exhaust riser	
19	192426	2	• Expansion plug	
20	804262	1	• Plug	
21	804261	1	• Gasket	
22	825558	1	Gasket	(827101)
23	956600	4	Hex. socket screw	
24	941909	4	Spring washer	
25		1	Exhaust pipe flange	SPEC VERSION
26	955550	4	Hexagon screw	SPEC VERSION
27	952980	X	Hose	L = 170 MM
28	943480	4	Hose clamp	(951797)